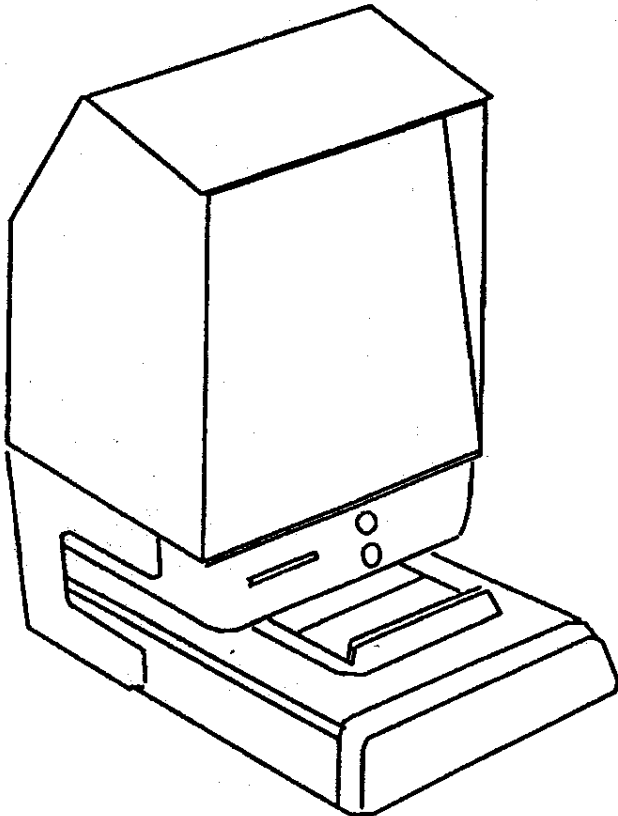


SOURCE DOCUMENT READER

Model 4601-11



- Single Lens or Dual Lens
- Image Rotation by Prism
- Fiche Carrier
- Manual Rollfilm Carrier
- Motorized Rollfilm Carrier

OPERATING INSTRUCTIONS

indus[®]
Tools for the microinformation age

Indus International, Inc.
340 South Oak Street
P. O. Box 890
West Salem, WI 54669-0890 USA
Tel: (608) 786-0300 Fax: (608) 786-0786
Website: www.indususa.com

SOURCE DOCUMENT READER

Model 4601-11

Specifications

Dimensions:	W294.4mm x H577.8mm x D406.4mm W11.75" x H22.75" x D16.0"
Weight:	12.7KG, 28 lbs.
Screen:	W294.6mm x H284.4mm W11.6" x H11.2" Rear Projection, Standard: Non-Glare Blue Optional: Gray or Green
Carrier:	Fiche Carrier 105mm x 152mm (4" x 6") self-opening 16/35mm Manual Rollfilm Carrier for Open Reels
Magnification:	Standard Single Lens 24X, 32X, 36X, 42X, 48X Optional Dual Lens with above listed lenses Optional 18X, 15X
Image Rotation:	Standard Single Prism 360 degree rotation Optional Dual Prism for Dual Lens with 48X, 42X, 18X or 15X
Input:	Microfiche, Jackets, 16/35mm Rollfilm in Open Reels
Indexing:	Interchangeable Grid for Fiche
Focus & Image Rotation:	Front Mounted precision control gear driven
Lamp:	Dual intensity 13.8Volts, 50 Watts
Electrical	Standard 120 Volt, 50/60 Hz Optional 220/230/240 Volt 50/60 Hz CE Mark
Construction:	Metal and High Impact Plastic
Warranty:	1 year limited warranty
Options:	Scribe line centered on screen, black or transparent yellow Dual Lens System with single prism or two prisms for 18X, 15X
Accessories:	Dust Cover Turntable Motorized 16/35mm Rollfilm Carrier for Open Reels Foot Switch for Motorized Carrier Movement Blip Counter for Rollfilm – with Motorized Carrier Cleaning Kit Carrying Handle

Specifications and appearance are subject to change without notice

4601-11 Source Document Reader

The 4601-11 Reader is designed for viewing of Source Documents reduced at different magnifications and available in either fiche or rollfilm media. The screen of the 4601-11 Reader is able to accommodate full size Source Documents of international standard size A4 or USA Letter or A size documents.

The 4601-11 can handle standard microfiche of size 105 x 155 mm (4" x 6") or with a 16/35mm rollfilm carrier can handle 16mm or 35mm microfilm. The fiche carrier and the rollfilm carrier are easily removable so that one can be removed and the other inserted in its place.

The Reader can be with a Single (One) Lens or with Dual (Two) Lenses, however, in either case the Reader is always equipped with a Dual Lens System. In either case, an Image Rotation Prism is provided. This prism allows the user to rotate the image on the screen 360 degrees by rotating the Prism.

The 4601-11 is equipped with a 50 Watt, 13.8 Volt illumination system. The lamp used is the 50 Watt 13.8 Volt Type EPZ. When replacement is necessary, it should be replaced with a Type EPZ quartz halogen lamp rated 50 Watt, 13.8 Volt.

CAUTION: Replacing with a lamp of a different rating may cause severe damage to the Reader.

The Reader is built to the customer's specifications and may not be fitted with all of the options based on the configuration requested by the customer or the selling dealer. Therefore, your Reader is equipped with a Dual Lens System with one lens supplied for the Single Lens version or two lenses for the Dual Lens version. It will always have an Image Rotation Prism. With certain special, low magnification lenses, the Reader may also have a second Prism.

The Reader may be configured with a Fiche Carrier, a Manual Rollfilm Carrier or a Motorized Rollfilm Carrier, depending on what the customer has ordered. The Carriers are interchangeable and therefore, one can be removed to install the other. In all cases a configuration will either have a Manual Rollfilm Carrier or a Motorized Rollfilm Carrier and not both.

For more information on the 4601-11 Reader please contact your dealer or write or send a fax message to Indus International, Inc. When requesting parts please provide the Serial Number of the Reader which is given on a label affixed to the Reader.

Installation and Use of the Reader

(Please also read the Manual Rollfilm instructions or the Motorized Rollfilm instructions.)

1. Remove the Reader from the carton, and check for any damage that may have been caused during transportation. Please report any damage to your selling dealer or call the freight company that delivered the Reader and report the damage to them.
2. The Lens (One with a Single Lens Reader, two with a Dual Lens Reader) is/are shipped in a separate small carton. Locate the lens carton and remove the lens(es) so that they can be installed in the Reader.
3. Remove the Screen and remove the packaging material that is protecting the lens system and the prism assembly so that the Lens can be installed in the Reader.
4. Using the Dual Lens Switch Lever move the Lens System to the Right Side to install the first lens in the Lens Holder. Move the Dual Lens Switch Lever to the Left Side to install the second lens in the Lens Holder. In the case of a Single Lens System only one lens will be installed. After installing the Lenses, make sure that the Prism Assembly does not interfere by hitting the top of the Lens when the Lens System is moved from one position to another.
5. Install the Screen. Holding the Screen with the ~~two~~ clip provided, insert the top portion of the Screen behind the horizontal metal bracket and let the lower end drop into place at the lower section of the Screen opening in the Housing of the Reader.
6. Remove the Drawer by pressing the Drawer Release Button on the right side of the Base of the Reader. Set the Drawer aside until after the Fiche Carrier or the Rollfilm Carrier is installed.
7. Insert the Carrier into the Deck of the Reader making sure that the Channel in the Carrier Rails rides into the track in the Drawer. When pushing the carrier in place it will be necessary to tilt open the Top Glass Assembly so that its bracket slides under the Top Glass Openers. Make sure the Carrier moves freely back and forth and to the left and to the right.

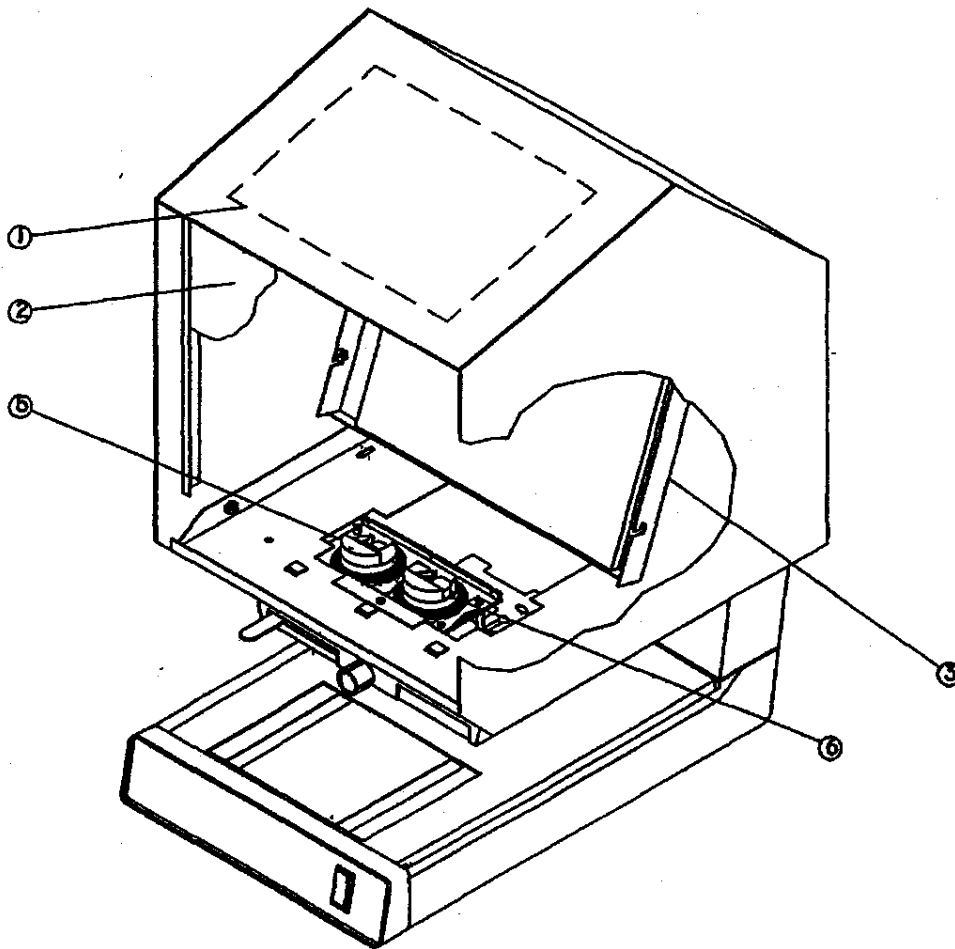
If you have installed a Fiche Carrier or a Manual Rollfilm Carrier you are now ready to use the Reader. Please read instructions that are included with the Manual Rollfilm Carrier for the proper use of the Carrier. If you have installed a Motorized Rollfilm Carrier you will need to plug the wire from the Motorized Rollfilm Carrier to the back of the Power Module that is included with the Motorized Carrier. In this case please read the instructions that are included with the Motorized Carrier for the proper use of the Carrier.

8. Install the Drawer into the Reader.

9. Plug the Reader to an AC current source. Check the voltage that the Reader has been built for to be sure that the Reader has been properly built for the voltage available at your location.
10. Turn on the Reader using the Power Switch on the front of the Drawer.
11. Place a Fiche or Rollfilm in the Fiche Carrier or Rollfilm Carrier as needed, and you will be able to see an image on the Screen.
12. Two control Knobs are provided. The lower Knob is used to focus the image on the Screen and the upper Knob is for Image Rotation. Use the lower Knob to bring the image into focus. The upper Knob needs to be turned only 45 degrees to get 90 degree rotation of the Image.

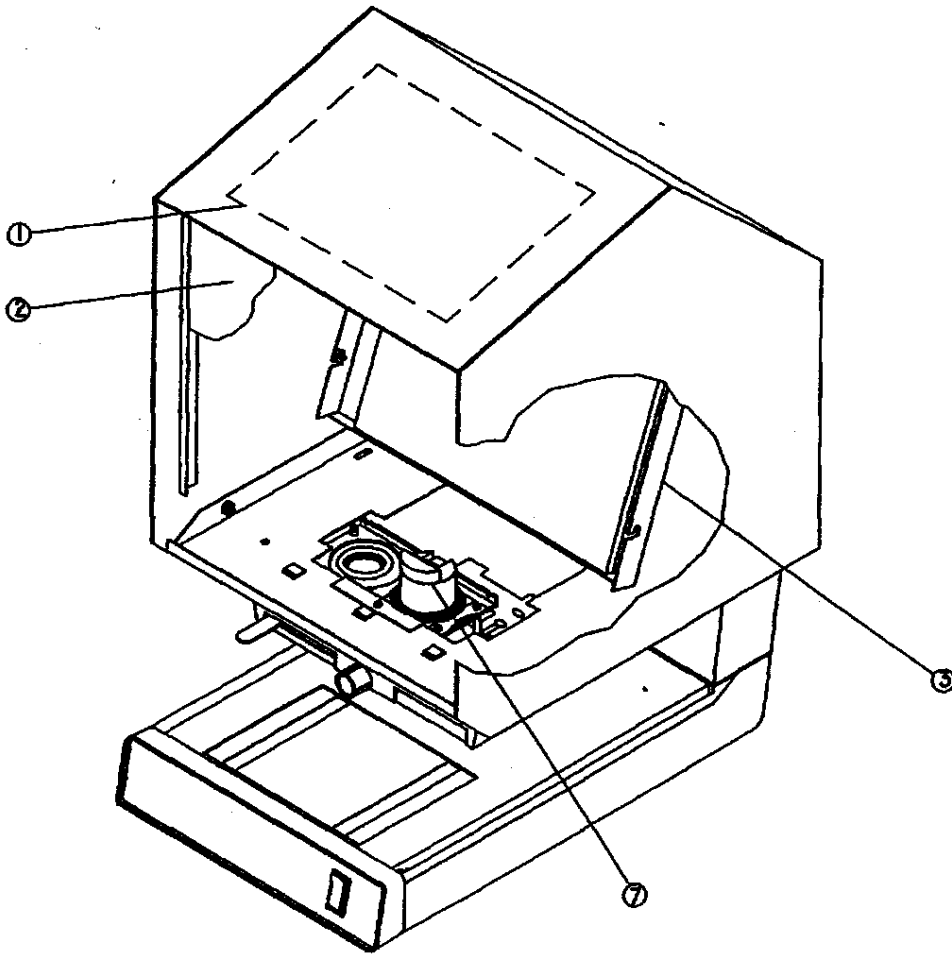
SOURCE DOCUMENT READER MODEL 4601-II

TYPE 3) DUAL LENS (18X, 24X, 32X, 36X, 42X OR 48X) WITH DUAL PRISMS



SOURCE DOCUMENT READER MODEL 4601-II

TYPE 4) SINGLE LENS (5X) WITH SINGLE PRISMS



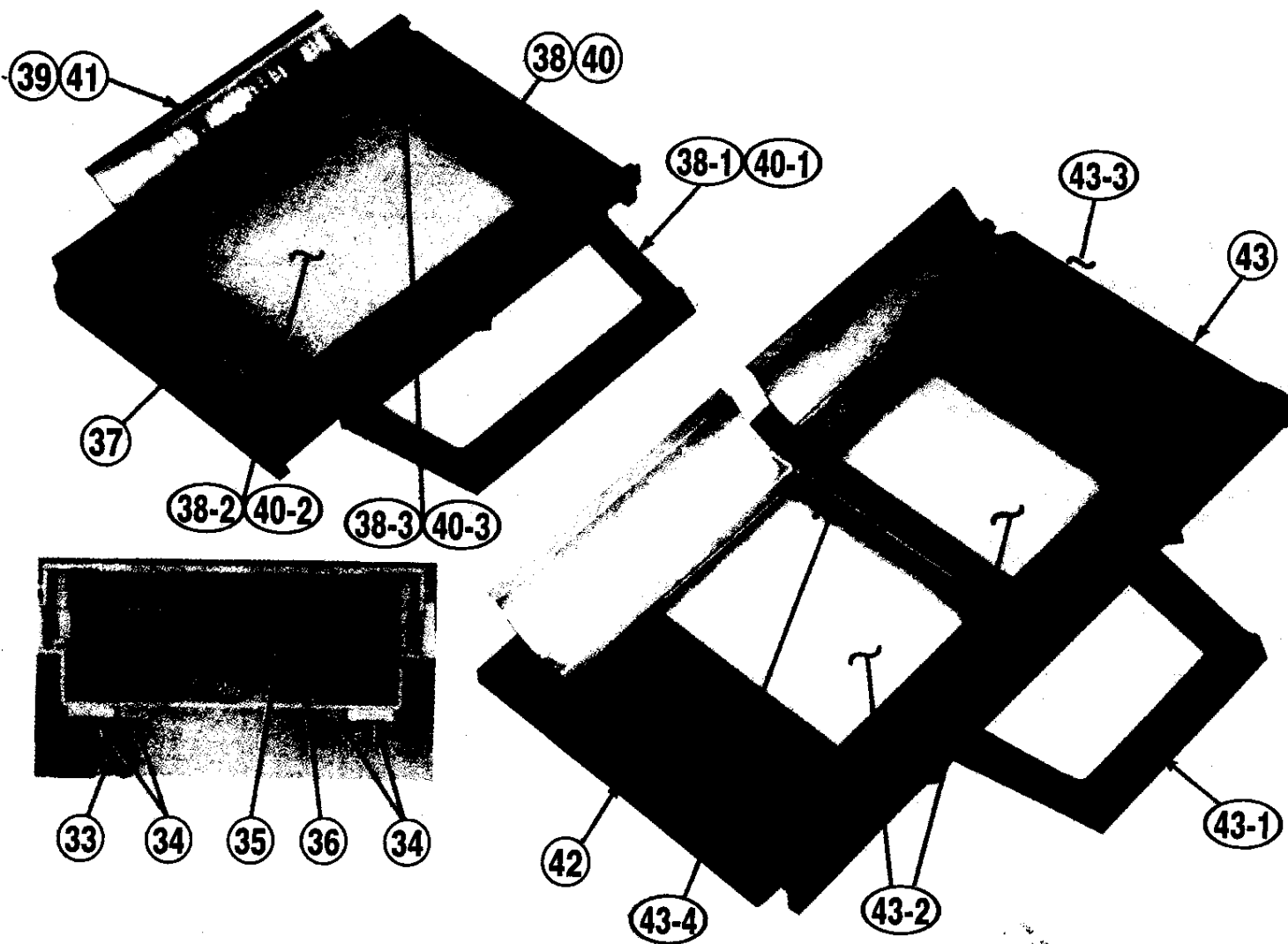
8-AHX 2051900-6004

SOURCE DOCUMENT READER

MODEL 4601-11

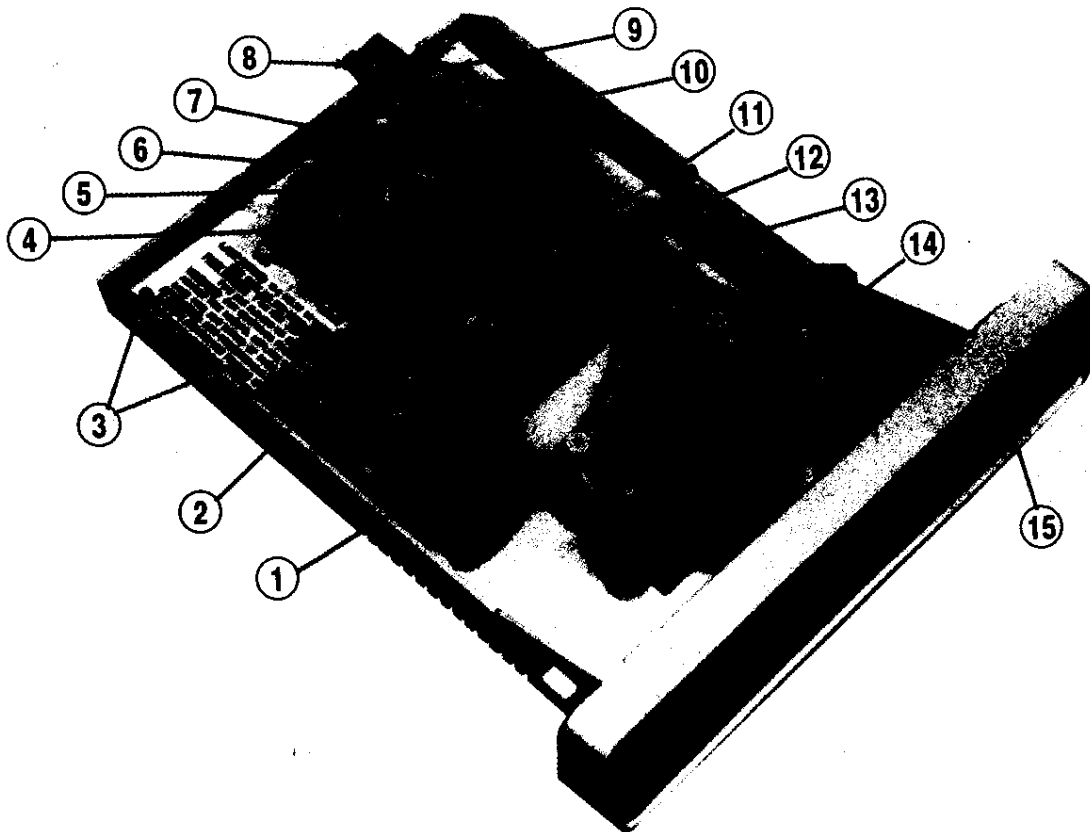
PARTS LIST

<u>NO.</u>	<u>PART NO.</u>	<u>PART DESCRIPTION</u>
1	093-0077469	#1 Mirror
2	093-0081417	Screen – Blue
3	093-0081400	#2 Mirror Assembly
4	093-0081478	Prism Assembly (Specify Lens Magnification)
5	093-0079003	Prism Assembly (Specify Lens Magnification)
6	093-0079003	Prism Assembly (Specify Lens Magnification) (18X, 24X, 32X, 36X)
	093-0083532	Prism Assembly (Specify Lens Magnification) (42X, 48X)
7	093-0079003	Prism Assembly
8	093-0079003	Prism Assembly
9	093-0079003	Prism Assembly (Specify Lens Magnification) (18X, 24X, 32X, 36X)
	093-0083532	Prism Assembly (Specify Lens Magnification) (42X, 48X)



PART NO'S & DESCRIPTIONS

ITEM	PART NUMBER COMMON TO 4601-01/02	PART DESCRIPTION	ITEM	PART NUMBER COMMON TO 4601-01/02	PART DESCRIPTION
33	093-0077744	Cord Set Assembly 120 Volt (Domestic & Canada) with Terminals No. 603-4400412	40	093-0077727	Fiche Carrier Assembly (4x7 1/2 Tab) w/o Top Glass
	093-0077745	Cord Set Assembly 220/240 Volt (International) with Terminals No. 603-4400412	40-1	093-0077493	Frame-Carrier (4x7 1/2 Tab)
34	603-4400986	Foot-Rubber	40-2	093-0077495	Glass-Bottom
35	093-0077676	Connector-Power	40-3	093-0077708	Clip-Glass Retainer
36	093-0077677	Cover-Terminal	41	093-0077729	Top Glass Assembly (4x7 1/2)
37	093-0077724	Carriage Assembly (4x6 Single & 4x7 1/2 Tab Card)	42	093-0077723	Carriage Assembly (4x6 Dual)
38	093-0077725	Fiche Carrier Assembly (4x6 Single) w/o Top Glass	43	093-0077726	Fiche Carrier Assembly (4x6 Dual) w/o Top Glasses
38-1	093-0077490	Frame-Carrier (4x6 Single)	43-1	093-0077492	Frame-Carrier (4x6 Dual)
38-2	093-0077489	Glass-Bottom	43-2	093-0077489	Glass-Bottom
38-3	093-0077708	Clip-Glass Retainer	43-3	093-0077708	Clip-Glass Retainer
39	093-0077728	Top Glass Assembly (4x6)	43-4	093-0077730	Clip-Glass Retainer (4x6 Dual)



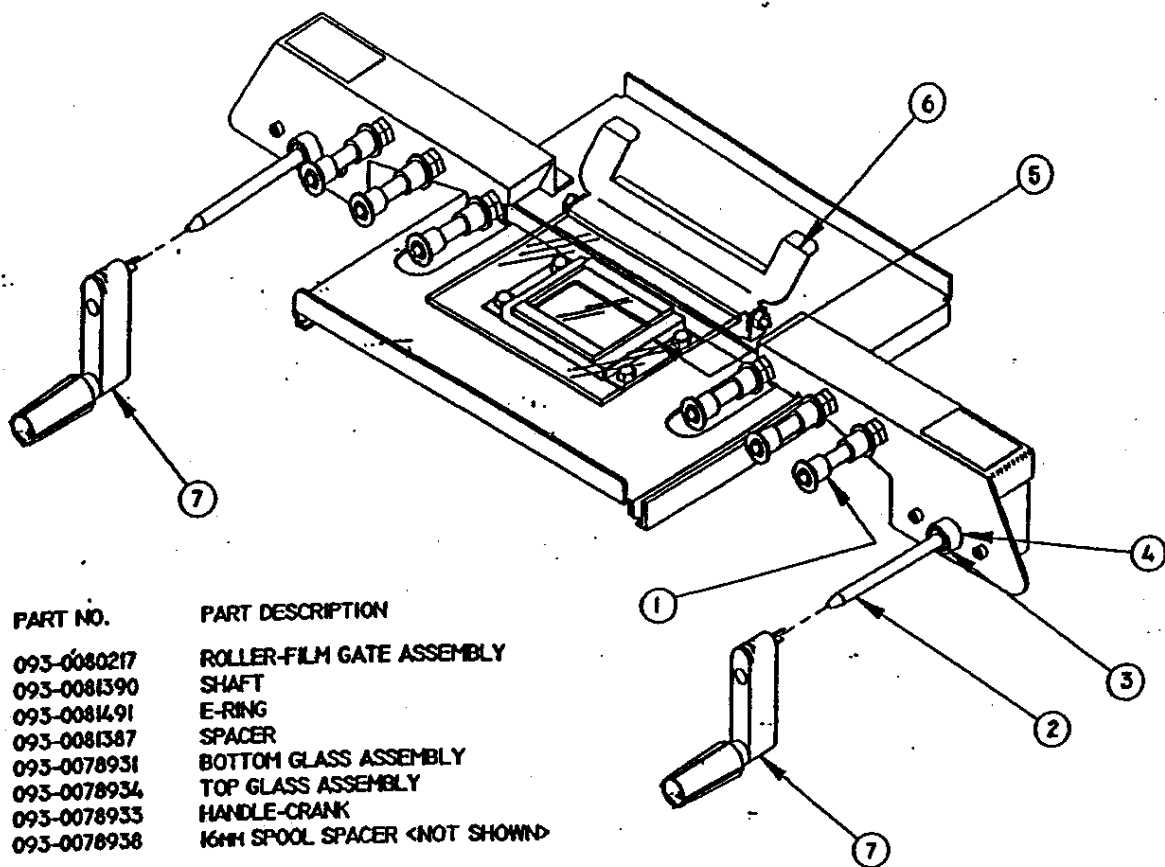
PART NO'S & DESCRIPTIONS

ITEM	PART NUMBER COMMON TO 4601-01/02	PART DESCRIPTION	ITEM	PART NUMBER COMMON TO 4601-01/02	PART DESCRIPTION
1	093-0077837	Fan Motor Assembly 120 Volt (Domestic & Canada) with terminals, w/o fan blade	8	093-0077675	Connector-Power (Drawer)
	093-0077838	Fan Motor Assembly 220/240 Volt (International) with terminals, w/o fan blade	9	603-4400412	Terminal-Female
	093-0077839	Fan Motor Assembly 100 Volt (Japan) with terminals, w/o fan blade	10	605-0001578	Nut-Wire
2	093-0077463	Blade-Fan (Domestic & International)	11	093-0076938	Fuse (0.8 Amp.)
3		Storage Area-Spare Lamp	12	603-4400972	Mirror-Cold
4	093-0077652	Bracket-Lamp	13	093-0077667	Deflector-Heat
5	093-0077764	Spring-Extension	14	*	Transformer Assembly with Terminals No. 603-4400412
6		Lamp (See label in power drawer for lamp number and type)	15	603-4401410	Switch SPDT
7	093-0077684	Socket			*Specify lamp type and line voltage.

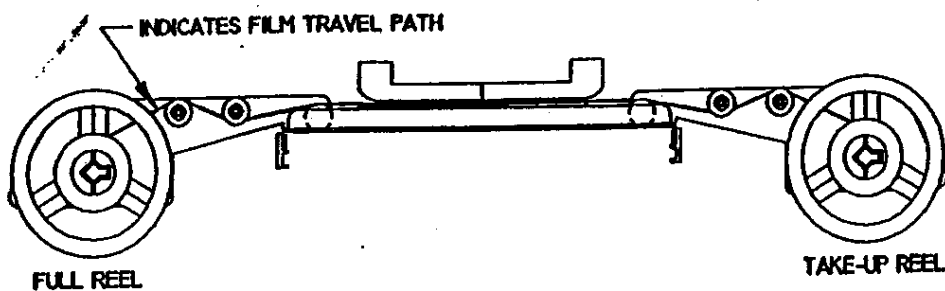
PIECES DE RECHANGE — REFERENCE ET DESCRIPTION

NO.	REFERENCE COMMUNE AU 4601-01/02	DESCRIPTION	NO.	REFERENCE COMMUNE AU 4601-01/02	DESCRIPTION
1	093-0077837	Bloc moteur à refroidissement par ventilateur, 120 volts (Etats-Unis et Canada) avec bornes, ventilateur non fourni.	1	093-0077839	Bloc moteur à refroidissement par ventilateur, 100 volts (Japon) avec bornes, ventilateur non fourni.
	093-0077838	Bloc moteur à refroidissement par ventilateur, 220/240 volts (International) avec bornes, ventilateur non fourni.			

RF1635 MANUAL



NO.	PART NO.	PART DESCRIPTION
1	093-0080217	ROLLER-FILM GATE ASSEMBLY
2	093-0081390	SHAFT
3	093-0081491	E-RING
4	093-0081387	SPACER
5	093-0078931	BOTTOM GLASS ASSEMBLY
6	093-0078934	TOP GLASS ASSEMBLY
7	093-0078933	HANDLE-CRANK
8	093-0078938	16MM SPOOL SPACER <NOT SHOWN>



1. The RF1635 will install on any INDUS 4601-01, 4601-02, 4601-03, & 4601-06 (Serial No.s starting with RF) 4601-11 Readers.
2. Remove power drawer and fiche carrier then slide the RF1635 in its place. Replace power drawer.
3. Install full reel on the left side and thread film as shown in diagram. Pull system forward to open top glass for ease in threading film.
4. Install take-up reel on the right side.

5. Install handles on shaft and lock the retainer on the handle into the reel.
6. Scanning is allowed by moving the system back and forth.
7. For 16mm reels first insert the spacer and then the reel. Spacer can be stored on the magnetic holder placed behind the shaft on the metal frame.